

Dongguan A.L Lighting Limited

Website: <http://www.flatledpanellights.com/supplier-147746-led-bulkhead-light>

Model No.: AL-BKL30WS-S01S

Specification

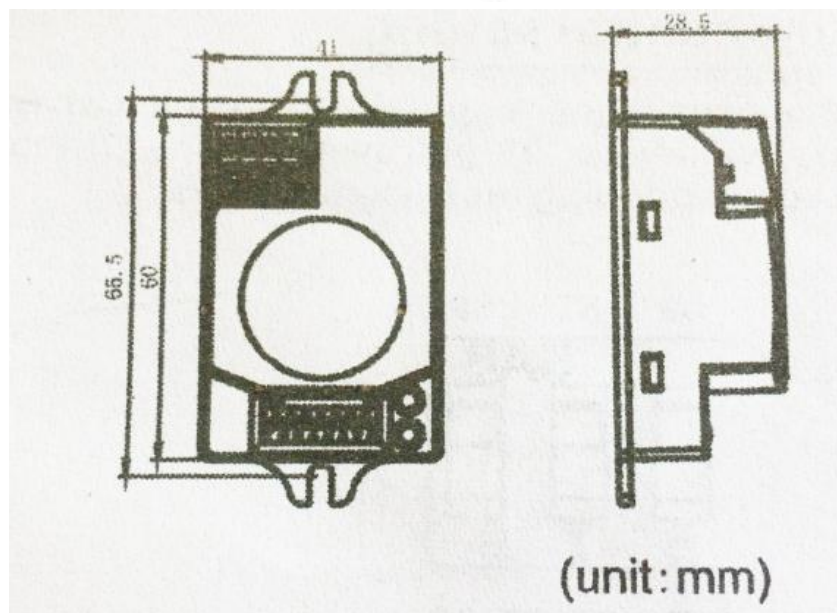
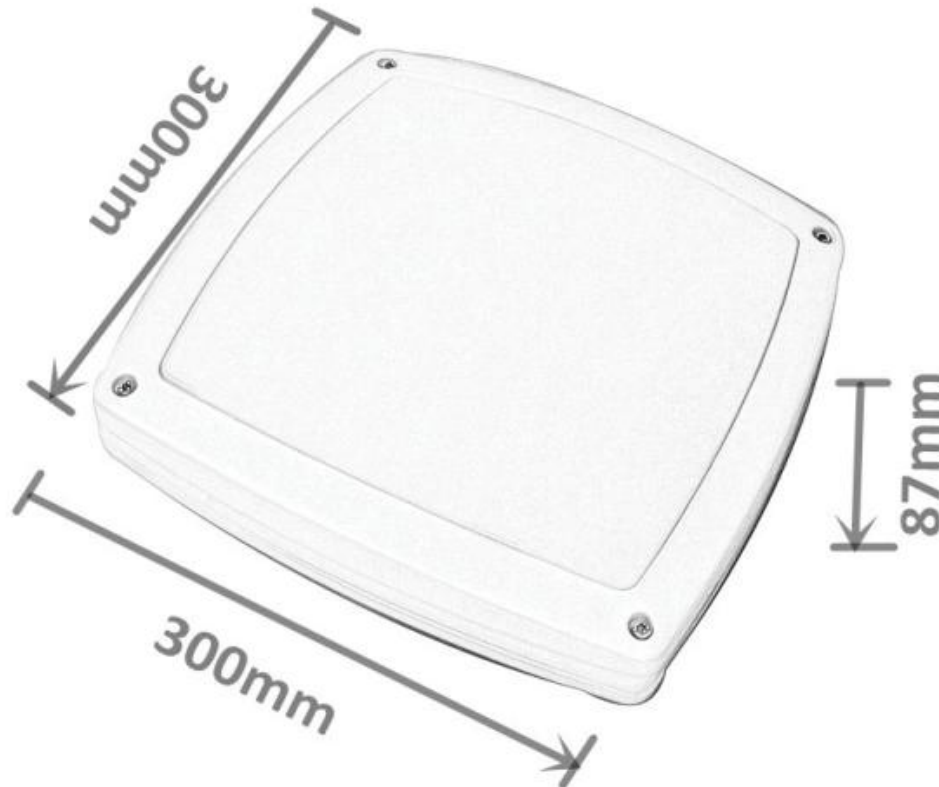
Parameters:

			Picture
Input voltage		AC85V-265V	
frequency		50HZ-60HZ	
Total harmonic distortion		≤9%	
Power factor		>0.5 / >0.9	
Output voltage		45-54V	
Output Current		560mA	
Led Q'TY		150PCS SMD2835	
Total power of the led		30W	
LED light effect		80LM/W	
Brand of led chip		Epistar	
Light efficiency		Above 80%~90%	
Evenness degree		>0.6	
Related color temperature	WW	3000K-3500K	
	NW	4000K-4500K	
	CW	6000K-6500K	
Color rendering		Ra > 80	
LED chip Junction Temp		≤85℃	
Operation temperature		-40℃~+55℃	
Storage temperature		-25℃~+65℃	
Grade of protection		IP65	
Beam angle		180degree	
Connecting wire for the driver	Brown	"L" live line	
	Blue	"N" neutral line	
	Yellow or Yellow-green	"G" earth line	
Dimensions		300x300x87mm	
NW. / GW.		1.7KG/1.85KG	
Packing size		51x33x34cm(5pcs)	
Housing color		White/ Black/ Grey	

Parameters:

1. Super bright SMD2835 LED as lighting sources, high efficiency, energy-saving, eco-friendly
2. Side-emitting design to form a surface emitting effect
3. Built-in motion sensor, more intelligently, conveniently and energy-saving
4. Die cast aluminum housing offering high impact capability and strength. PC as cover offering excellent light transmission
5. Compact structure boosting strong shock resistance, high corrosion resistance, IP65, waterproof, dustproof and rust-proof
6. Built-in, wide voltage input constant current driver to enable installation around the world
7. Convenient installation methods allowing for application even in dusty and moist locations both indoor and outdoor

Dimensions:



Sensor Information:

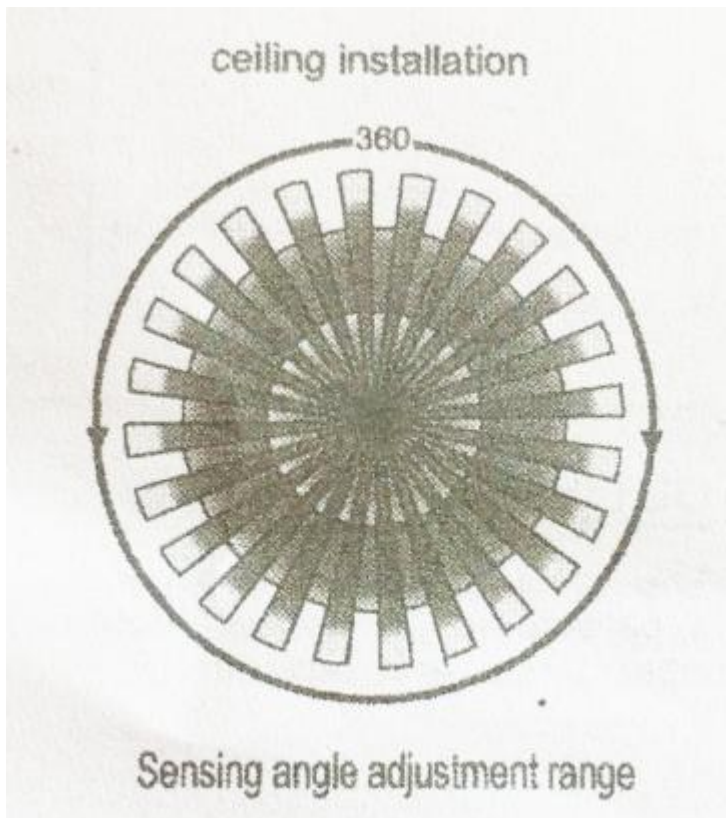
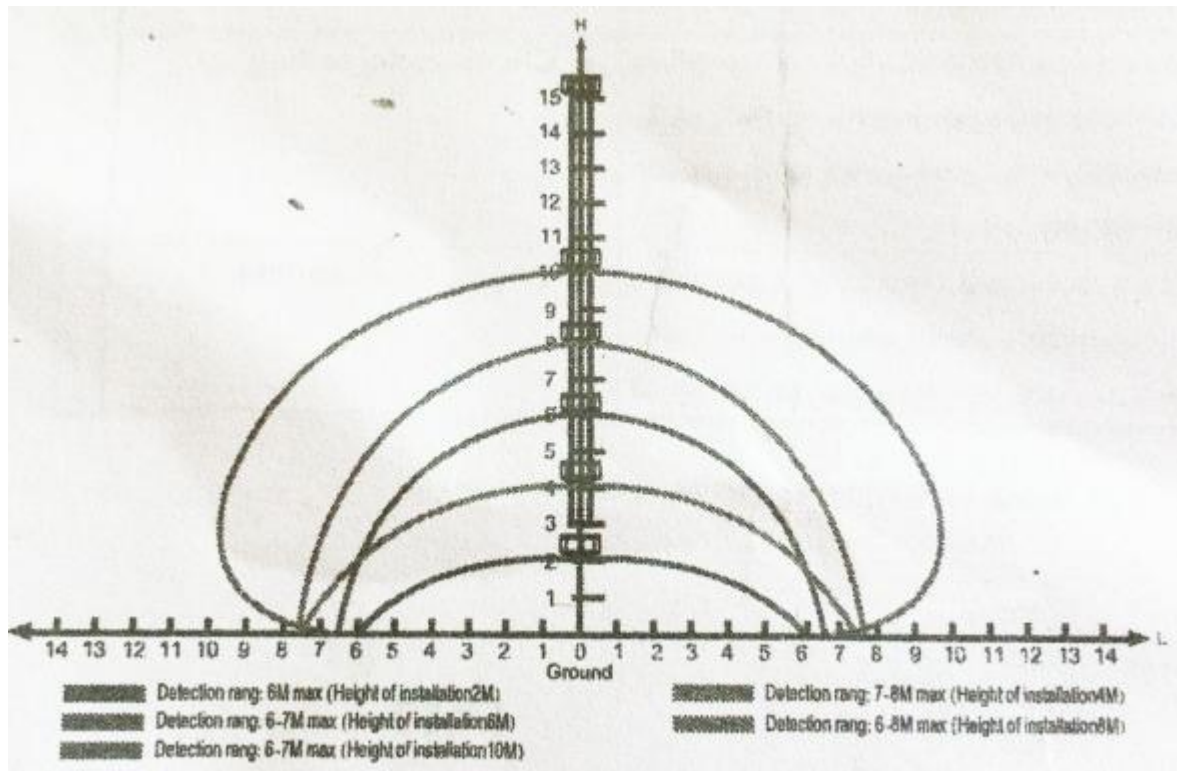


Photo show:



Application:

Bathroom, Kitchen, Spa room, Balcony

Hotel hall or room lighting, Shopping mall lighting

Under cabinet lighting, Display case lighting

Artwork lighting, Board lighting, Accent lighting

Cabinet and under counter lighting

LUMINOUS INTENSITY DISTRIBUTION

